



F-1002MLJ

Modular Ice Machine
Low-Side Series



F-1002MLJ
08/03/23
Item # 13345

W x D x H
22" x 27^{3/8}" x 26"*


Shipping Dimensions
33" x 25^{1/4}" x 32"

F-1002MLJ*
Rack System Flaker
Shown on optional bin B-700



Item #: _____
Project: _____
Qty: _____
AIA#: _____

Features

- ▶ Durable stainless steel exterior
- ▶ Advanced CleanCycle24™ design 
- ▶ Stainless steel auger with greaseless bearing

- Up to 1028 lbs. of ice production per 24 hours
- Mount two units, side-by-side, in only 44" of floor space for double the amount of ice production
- 2 second flush cycle every hour
- Flush cycle removes sediment for cleaner ice
- Infrared bin control for easy cleaning and reliability
- R-404A, R-407A, R-407F Refrigerant

Available on Bins:

B-250SF B-500SF B-800SF B-1150SS B-1500SS*
B-300SF B-700SF B-900SF B-1300SS B-1650SS*

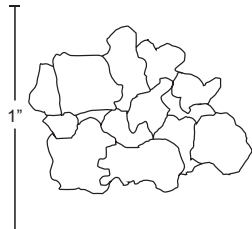
*Top kit may be required. See Bin Spec Sheets. *Two unit application only.*

Warranty:

3 Year Parts & Labor on entire machine. Valid in United States, Canada, Puerto Rico and U.S. Territories. Contact factory for warranty in other countries.

Condenser	Model	ICE PRODUCTION		WATER USAGE			ELECTRICAL					Heat Rejection BTU/hr.	Ship Weight (lbs.)
		Air / Water Temp Lbs. per 24 hours 70°/ 50°F	90°/ 70°F	Type of Ice (Hardness Rating)	Potable Gal. per 100 lbs. 90°/ 70°F	Condenser Gal. per 100 lbs. 90°/ 70°F	kWh Used per 100 lbs. 90°/ 70°F	Min. Circuit/Max. Fuse Size	Amperage	Voltage	Circuit Wires (including ground)		
Remote	F-1002MLJ	1028	797	Flaked (72.8)	12.0	N/A	1.51	15A	3.3A	115V/60/1	3	8,600	150

Cube Dimensions* Flaked F-1002MLJ



* approximate size in inches, image not to scale

Operating Limits

- Ambient Temp Range 45 - 100°F
- Water Temp Range 45 - 90°F
- Water Pressure 10 - 113 PSIG
- Voltage Range 104-127V
- If GFCI is required, a GFCI breaker MUST be used in lieu of GFCI receptacle

Service

- Panels easily removed and all components accessible for service.
- Allow 6" (15 cm) clearance at rear and sides, and 24" (61 cm) clearance at top for proper air circulation and ease of maintenance/service.

Plumbing

- Icemaker Water Supply Line: Minimum 1/4" Nominal ID Copper Water Tubing or Equivalent
- Icemaker Drain Line: Minimum 3/4" Nominal ID Hard Pipe or Equivalent

*Unit is supplied with a nitrogen charge.
Nitrogen must be removed before final connection.*



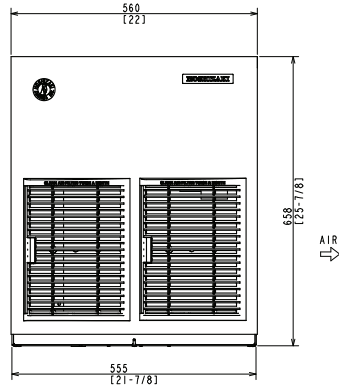
F-1002MLJ

Modular Ice Machine
Low-Side Series



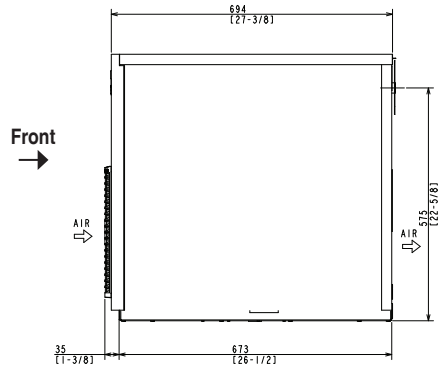
F-1002MLJ
08/03/23
Item # 13345

FRONT VIEW

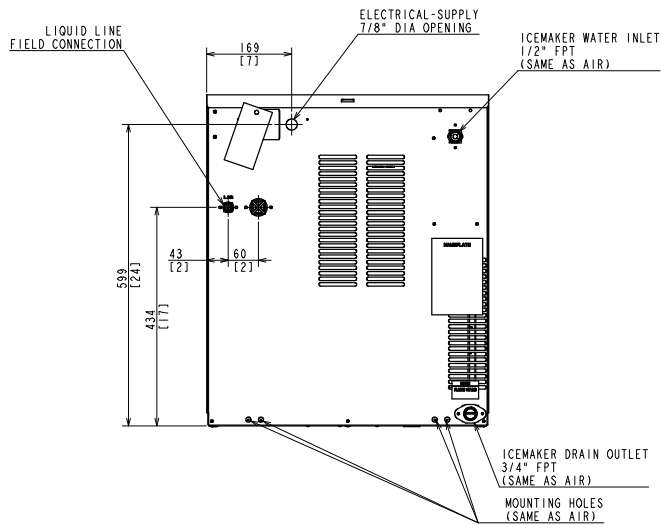


mm
[inch]

SIDE VIEW

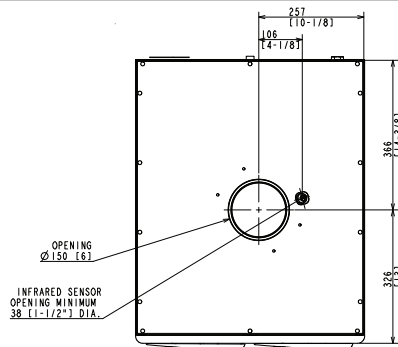


REAR VIEW



*Unit is supplied with a nitrogen charge.
Nitrogen must be removed before final connection.*

BOTTOM VIEW



Front ↑